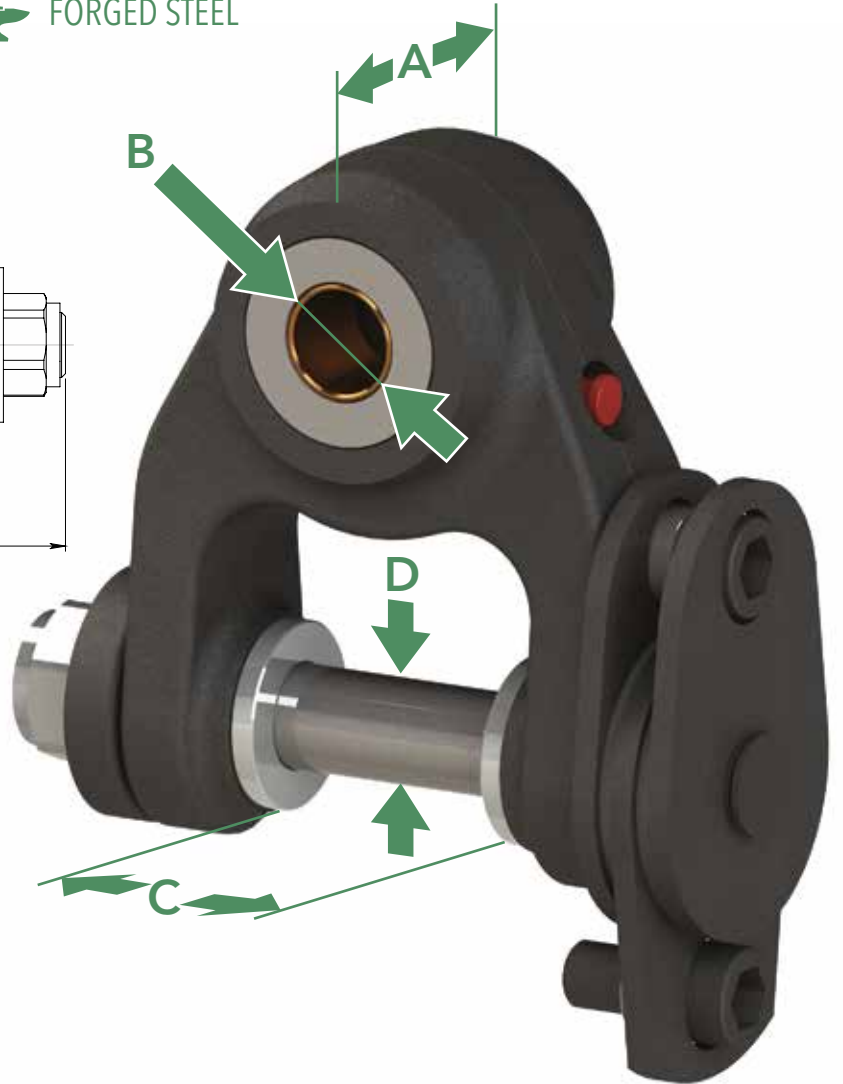


 FORGED STEEL



FHL01B-A/B -C/D

A	B	C	D
80	45	60	25
70	40	73	30
60	35		
	30		
	25		



55
kN

6
kg

The body of FHL01B knuckle joint link (swing damper) is made from shock resistant FORGED STEEL to improve reliability and equipped with bronze bushings to extend lifetime.

For additional information relating to price levels and technical data, please contact sales@formiko.lv

Formiko Hydraulics Ltd
Dzirciema Str. 119 k-1
Riga LV1055
LATVIA

+371 294 49 552
+371 264 59 383
sales@formiko.lv
www.formiko.lv



FORESTRY



AGRICULTURE CONSTRUCTION



GENERAL CARGO



RECYCLING

