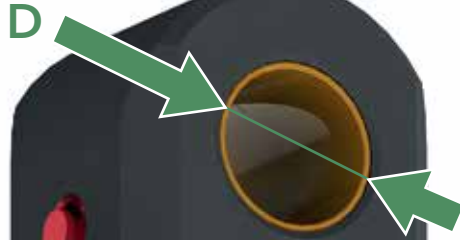
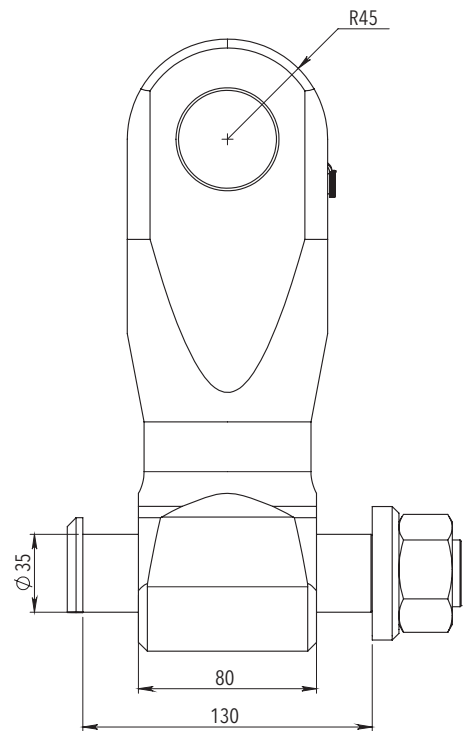
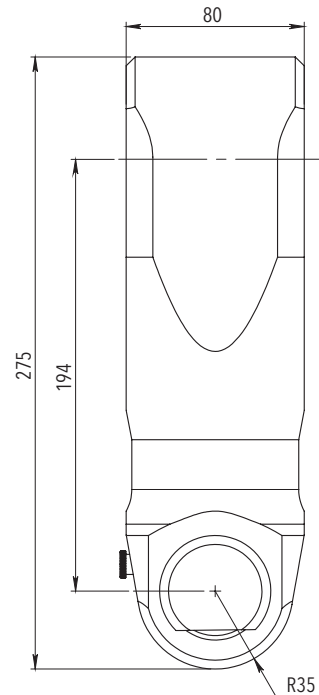




FORGED STEEL



The body of FHL02 knuckle joint link is made from shock resistant FORGED STEEL to improve reliability and equipped with bronze bushings to extend lifetime.



FHL02-D

D
45
40
35
30



100
kN

12
kg

For additional information relating to price levels and technical data, please contact sales@formiko.lv

Formiko Hydraulics Ltd
Dzirciema Str. 119 k-1
Rīga LV1055
LATVIA

+371 294 49 552
+371 264 59 383
sales@formiko.lv
www.formiko.lv



FORESTRY



AGRICULTURE



CONSTRUCTION



GENERAL CARGO



RECYCLING

