



STATIC LOAD



**10**  
kN

DYNAMIC LOAD



**5**  
kN

TORQUE at 25MPa



**350**  
Nm

WEIGHT



**11**  
kg

OILFLOW

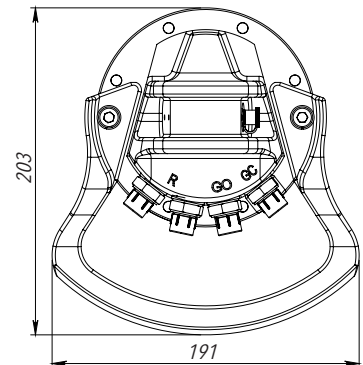
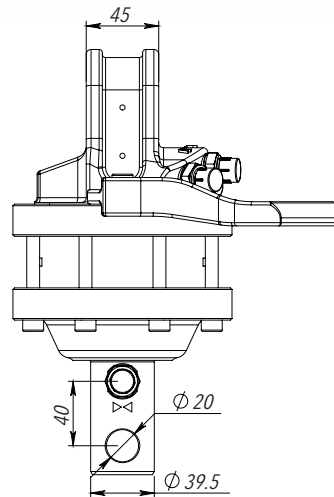
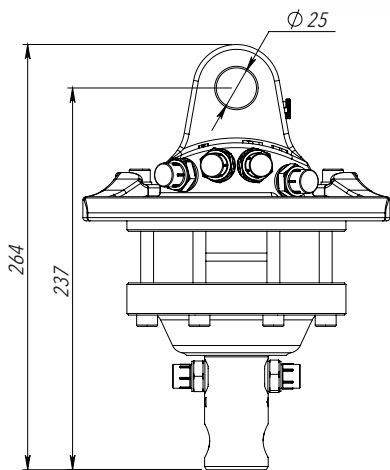


**10**  
l/min

COMPATIBILITY



FHL01-A/B-60/25  
FHL01B-A/B-60/25  
with shims



For additional information relating to price levels and technical data, please contact [sales@formiko.lv](mailto:sales@formiko.lv)

Formiko Hydraulics Ltd  
Dzirciema Str. 119 k-1  
Riga LV1055  
LATVIA

+371 294 49 552  
+371 264 59 383  
[sales@formiko.lv](mailto:sales@formiko.lv)  
[www.formiko.lv](http://www.formiko.lv)

Formiko Hydraulics FHR 1.000L is the smallest rotator commonly used with the forestry ATV trailer or paving equipment in the road construction.



FORESTRY



AGRICULTURE



CONSTRUCTION



GENERAL CARGO



RECYCLING

