



STATIC LOAD



30
kN

DYNAMIC LOAD



15
kN

TORQUE at 25MPa



900
Nm

WEIGHT



19
kg

OILFLOW

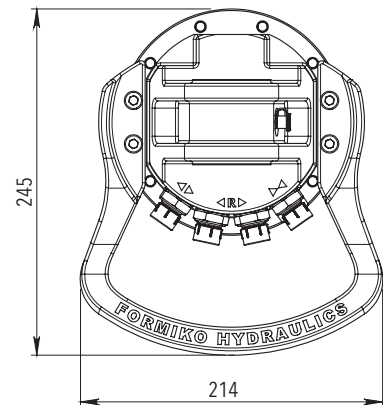
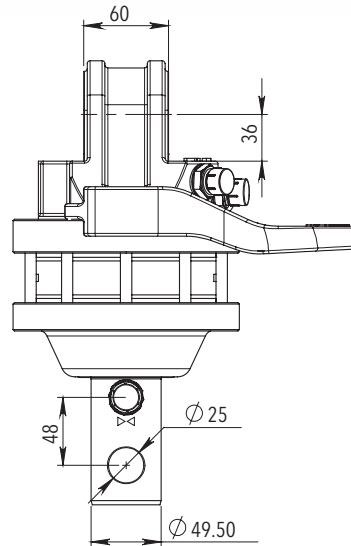
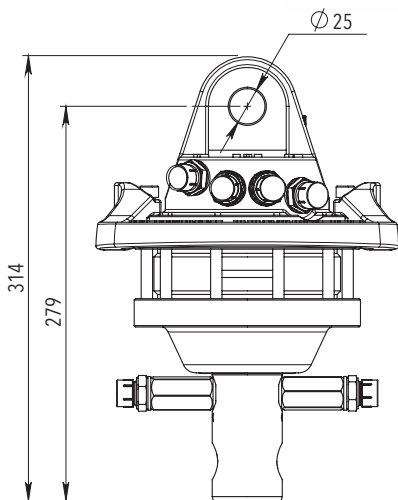


20
l/min

COMPATIBILITY



FHL01-A/B-60/25
FHL01B-A/B-60/25



For additional information relating to price levels and technical data, please contact sales@formiko.lv

Formiko Hydraulics Ltd
Dzirciema Str. 119 k-1
Riga LV1055
LATVIA

+371 294 49 552
+371 264 59 383
sales@formiko.lv
www.formiko.lv

Formiko Hydraulics FHR 3.000 rotators are coast-effective solution for seasonal tasks in lighter forestry and agriculture applications.



FORESTRY



AGRICULTURE



CONSTRUCTION



GENERAL CARGO



RECYCLING

