



STATIC LOAD



**30**  
kN

DYNAMIC LOAD



**15**  
kN

TORQUE at 25MPa



**900**  
Nm

WEIGHT



**24**  
kg

OILFLOW



**20**  
l/min

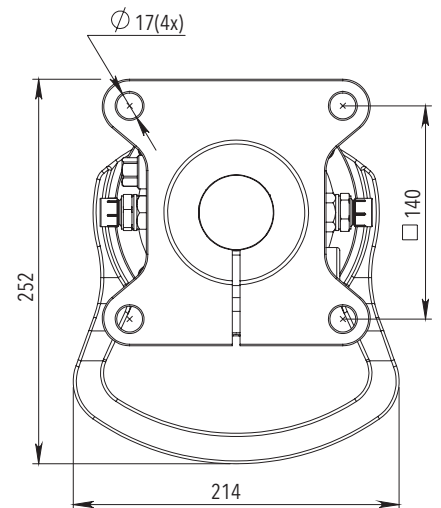
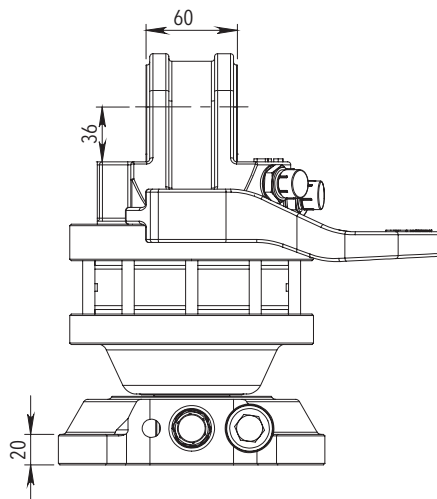
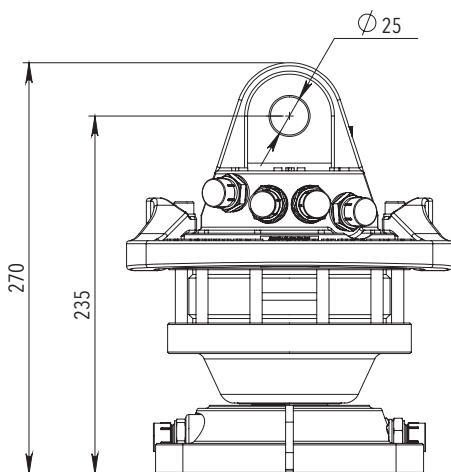
COMPATIBILITY



FHL01-A/B-60/25  
FHL01B-A/B-60/25



**FORGED STEEL**



For additional information relating to price levels and technical data, please contact [sales@formiko.lv](mailto:sales@formiko.lv)

Formiko Hydraulics Ltd  
Dzirciema Str. 119 k-1  
Riga LV1055  
LATVIA

+371 294 49 552  
+371 264 59 383  
[sales@formiko.lv](mailto:sales@formiko.lv)  
[www.formiko.lv](http://www.formiko.lv)

vFormiko Hydraulics FHR 3.000 rotators are coast-effective solution for seasonal tasks in lighter forestry and agriculture applications.



FORESTRY



AGRICULTURE



CONSTRUCTION



GENERAL CARGO



RECYCLING

