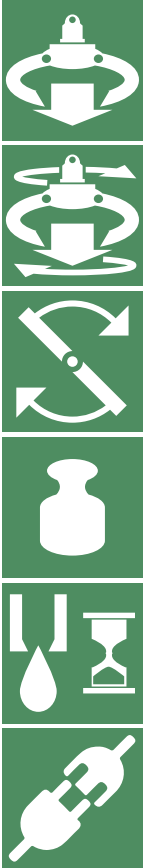




STATIC LOAD
DYNAMIC LOAD
TORQUE at 25MPa
WEIGHT
OILFLOW
COMPATIBILITY



60
kN

30
kN

1850
Nm

45
kg

25
l/min



FHL02

OPPOSITE HOSE CONNECTION



DOUBLE BEARING

Grapple close
G1/2" Max 300 bar

Grapple open
G1/2" Max 250 bar

Rotator frame L80 ø35 suitable for Formiko FHL02 links

Rotate left/right
G1/2" Max 250 bar

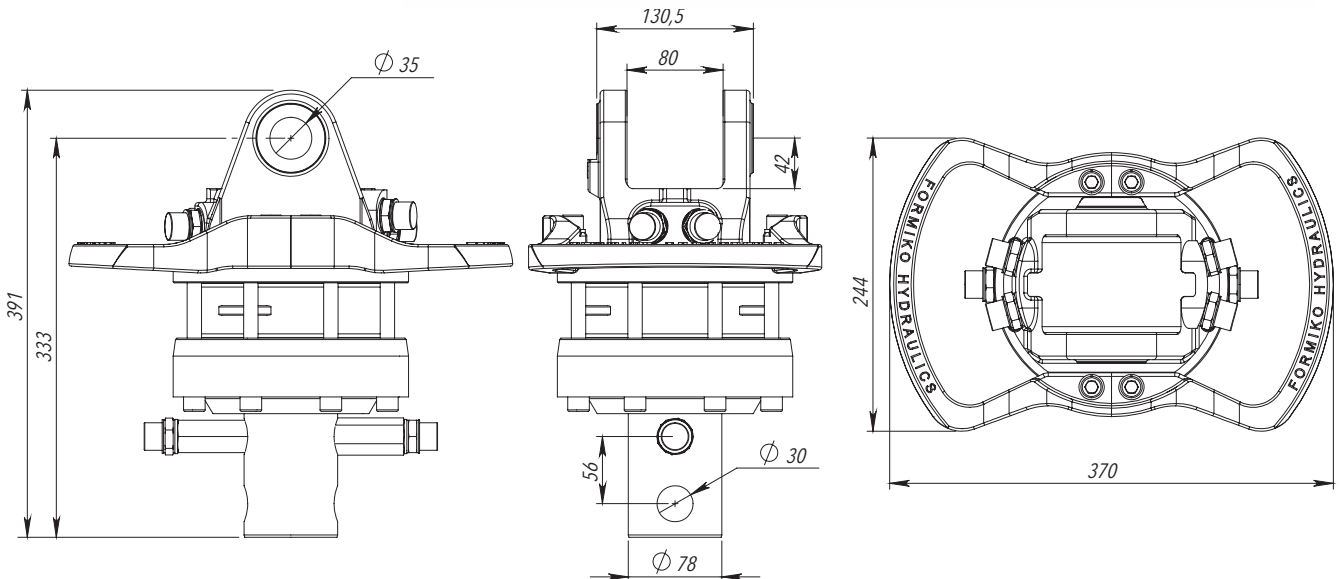
Rotator designed for intensive professional use and extended long lifetime

Rotator with two bearings to withstand compression and stretching forces

Grapple open
G1/2"

Grapple close
G1/2"

Tough steel ø78mm shaft for fitting the grapple



For additional information relating to price levels and technical data, please contact sales@formiko.lv

Formiko Hydraulics Ltd
Dzirciema Str. 119 k-1
Rīga LV1055
LATVIA

+371 294 49 552
+371 264 59 383
sales@formiko.lv
www.formiko.lv

Formiko Hydraulics FHR 6 rotators are ideal for professional forestry and general cargo handling.



FORESTRY



AGRICULTURE



CONSTRUCTION



GENERAL CARGO



RECYCLING

